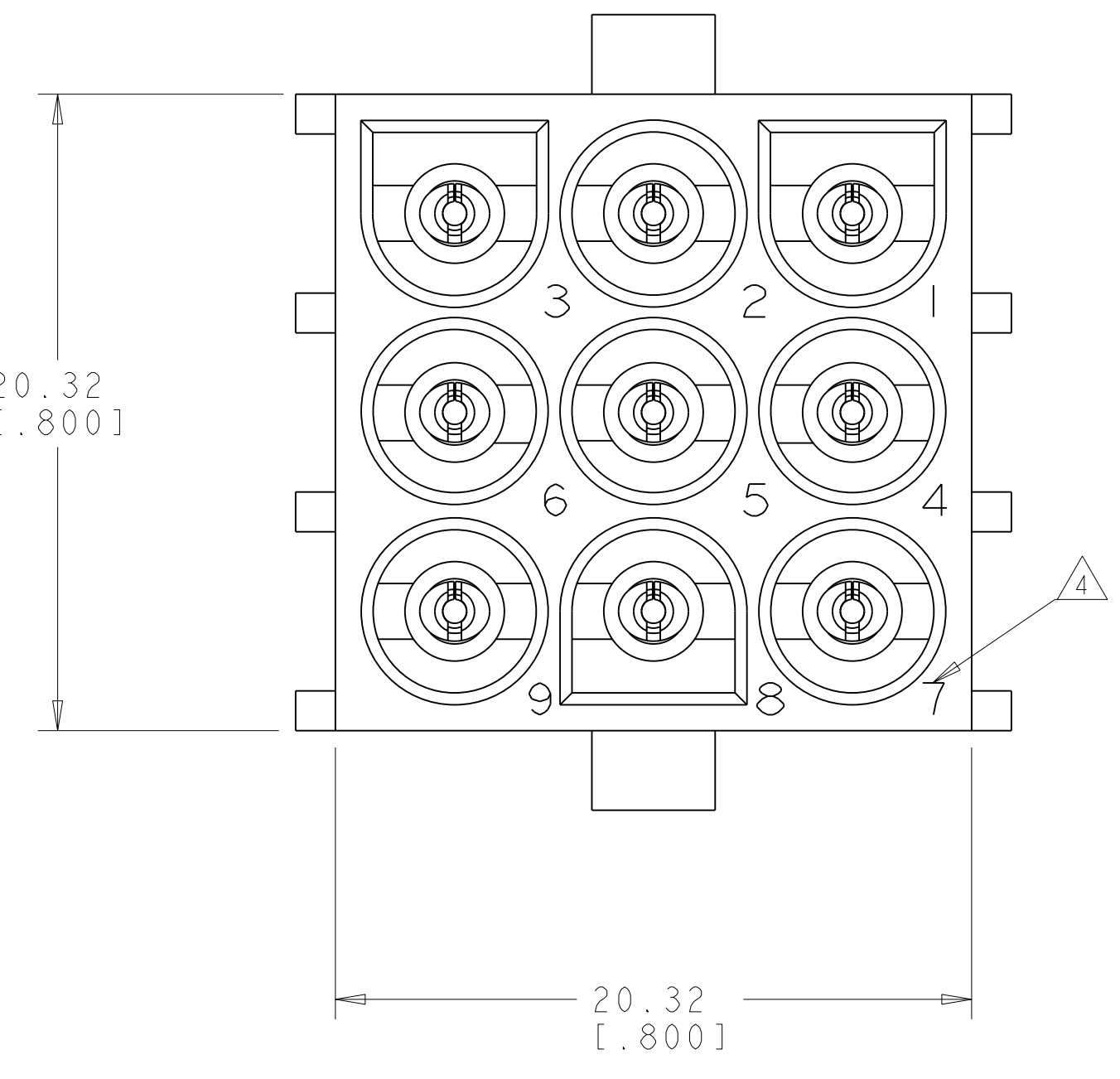
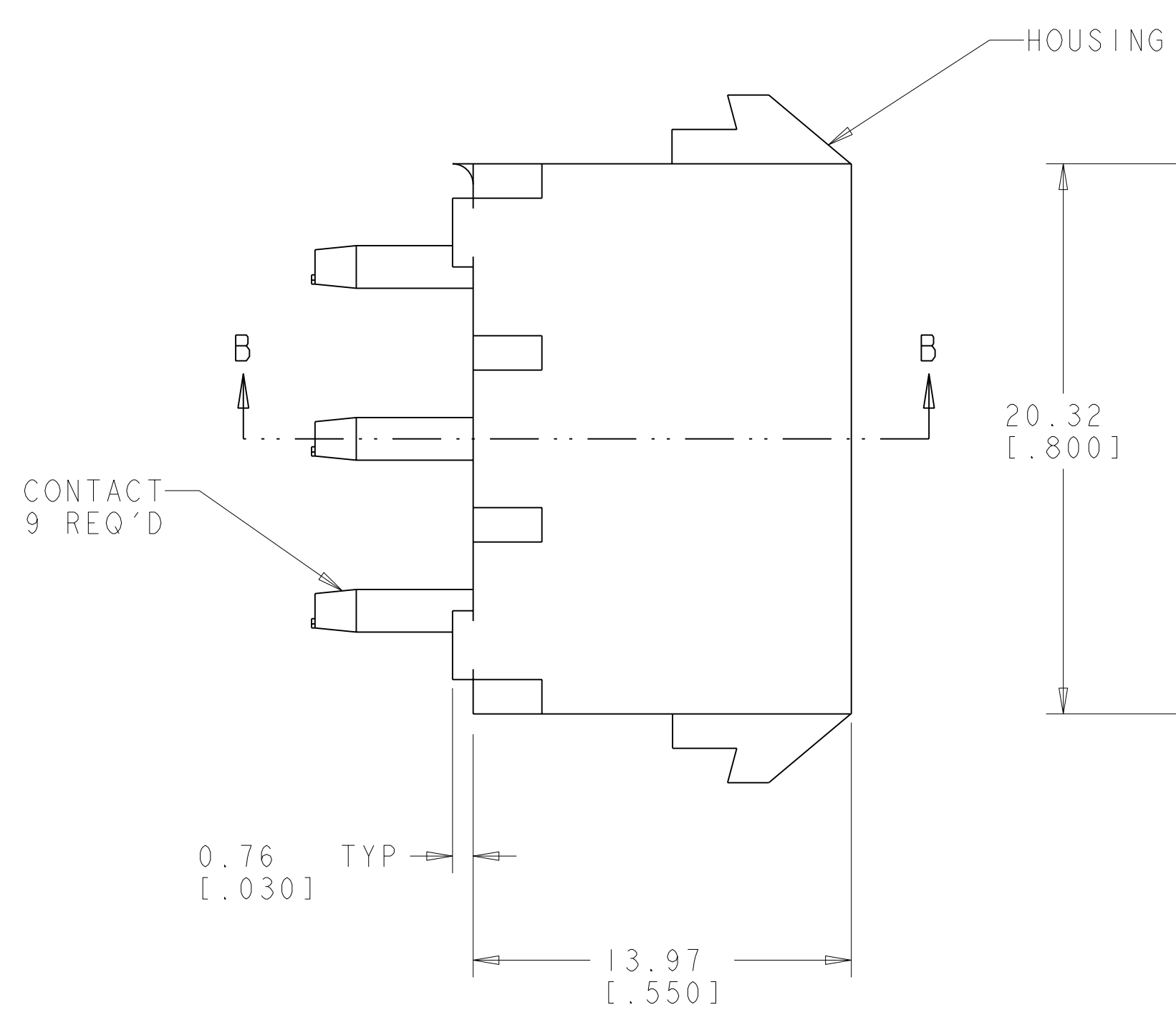
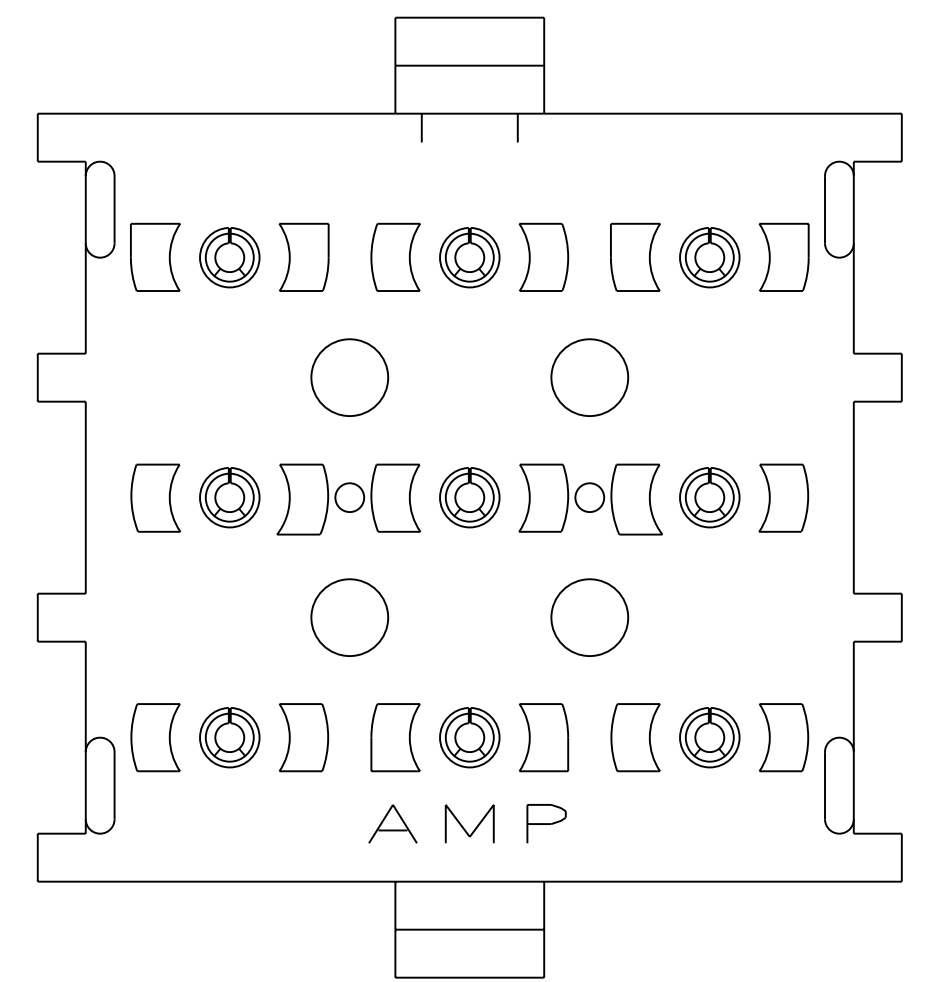
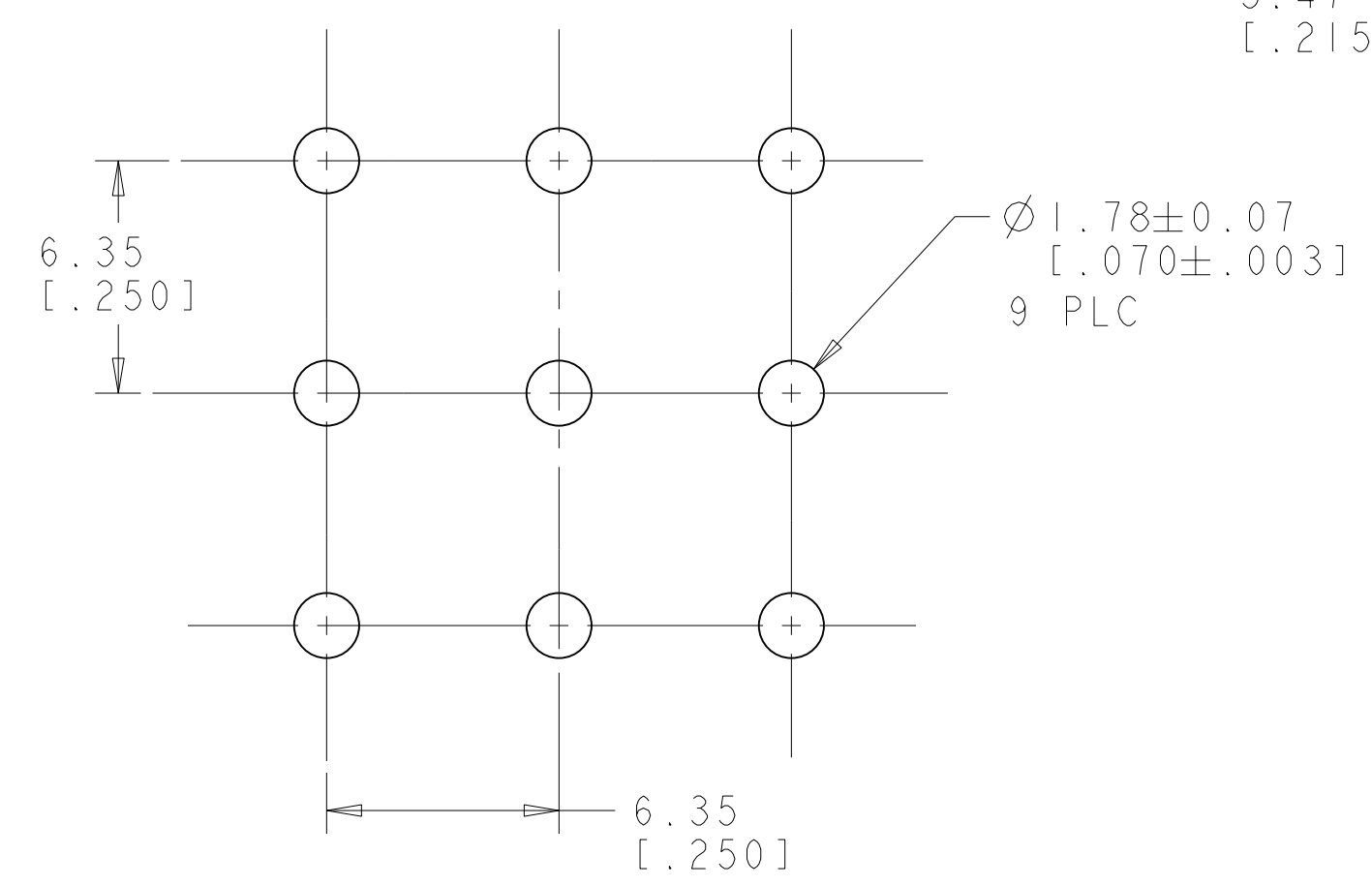
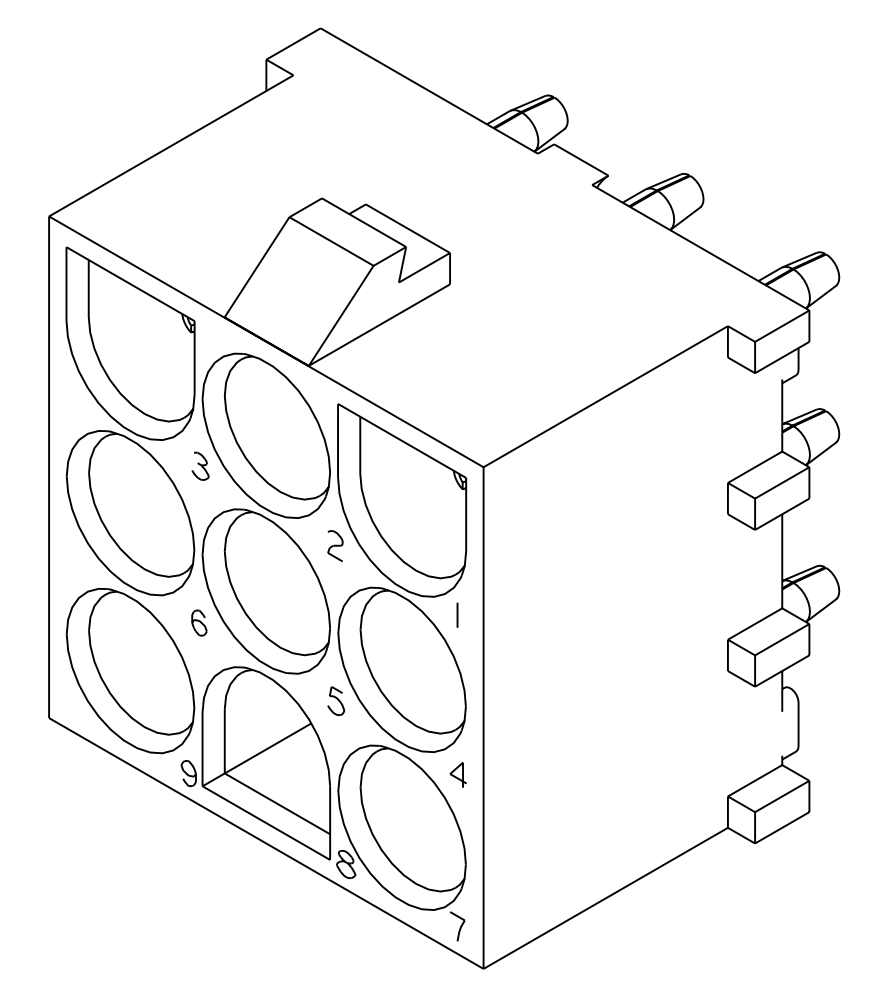
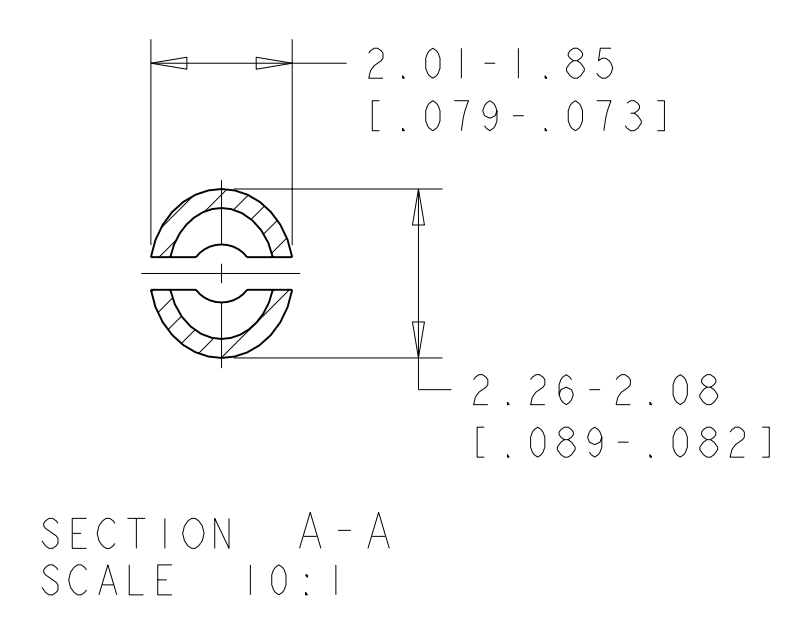
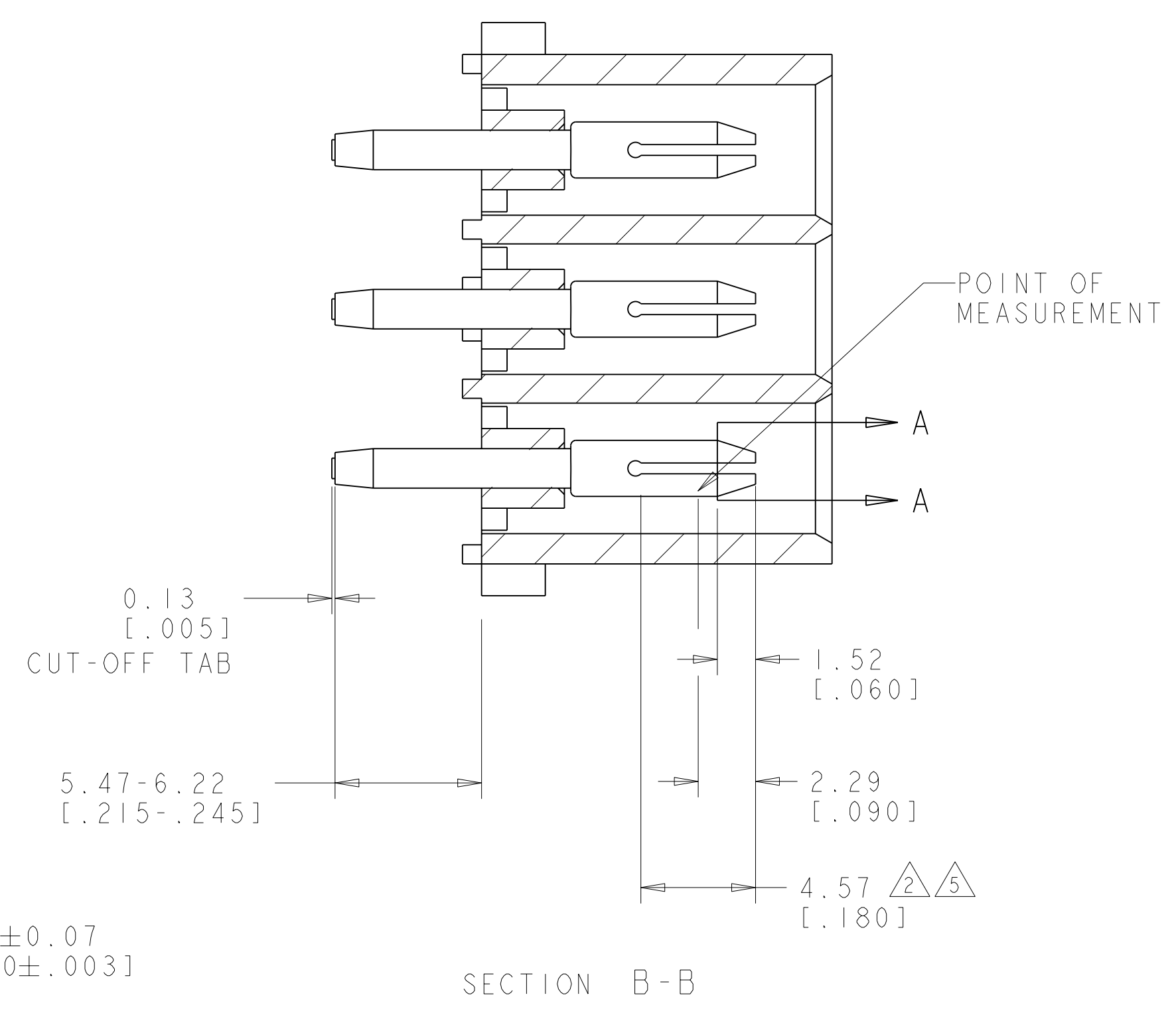


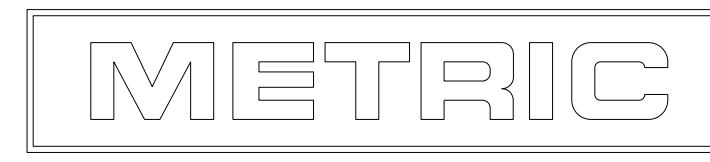
LOC		DIST		REVISIONS			
F	LTW	DESCRIPTION	DATE	DWN	APVD		
T		REVISED PER 0G3B-1100-04	07SEP05	KW	SR		



- PARTS COMPLY TO AMP SOLDERABILITY SPECIFICATION 109-11-3.
- CONTACT IS PLATED OVERALL WITH 0.00127 [.000050] NICKEL, THEN 0.00076 [.000030] GOLD OVER CONTACT LENGTH INDICATED AND TIN LEAD ON SOLDER TAIL END.
- MATES WITH HOUSING 480706.
- CIRCUIT IDENTIFICATION CHARACTERS ARE ADJACENT TO THE INDICATED CAVITIES, BUT LOCATION AND ORIENTATION MAY DIFFER FROM PRINT.
- CONTACT IS PLATED OVERALL WITH 0.00127 [.000050] NICKEL, THEN 0.00076 [.000030] GOLD OVER CONTACT LENGTH INDICATED AND MATTE TIN ON SOLDER TAIL END.
- DIMENSIONS IN BRACKETS ARE IN INCHES.



PHOSPOR BRONZE, GOLD	NYLON, UL94V-2, NATURAL	350586-4
PHOSPOR BRONZE, GOLD	NYLON, UL94V-2, NATURAL	350586-2
PHOSPOR BRONZE, PRE-TIN	NYLON, UL94V-2, NATURAL	350586-1
PIN CONTACT MATERIAL AND FINISH	HOUSING MATERIAL AND COLOR	PART NUMBER



DIMENSIONS: mm [INCHES]		TOLERANCES UNLESS OTHERWISE SPECIFIED:		DWN: K. WHITAKER 19 JULY 2005		Tyco Electronics Harrisburg, PA 17105-3608	
0 PLC	±	0 PLC	±	CHK: S. RIDGILL 19 JULY 2005	NAME	PIN HEADER ASSEMBLY, 9 CIRCuits, UNIVERSAL MATE-N-LOK(TM)	
1 PLC	±	1 PLC	±	APVD: S. RIDGILL 19 JULY 2005	PRODUCT SPEC	SIZE	CAGE CODE DRAWING NO
2 PLC	±0.13(.005)	2 PLC	±	APPLICATION SPEC	SCALE	00779	©=350586
3 PLC	±	3 PLC	±	WEIGHT	RESTRICTED TO		
4 PLC	±	4 PLC	±	CUSTOMER DRAWING	SCALE	5:1	SHEET 1 OF 1 REV T
ANGLES	±	ANGLES	±				